

受 控

SPECIFICATION

1. SCOPE

This specification is applied to the piezo-element.

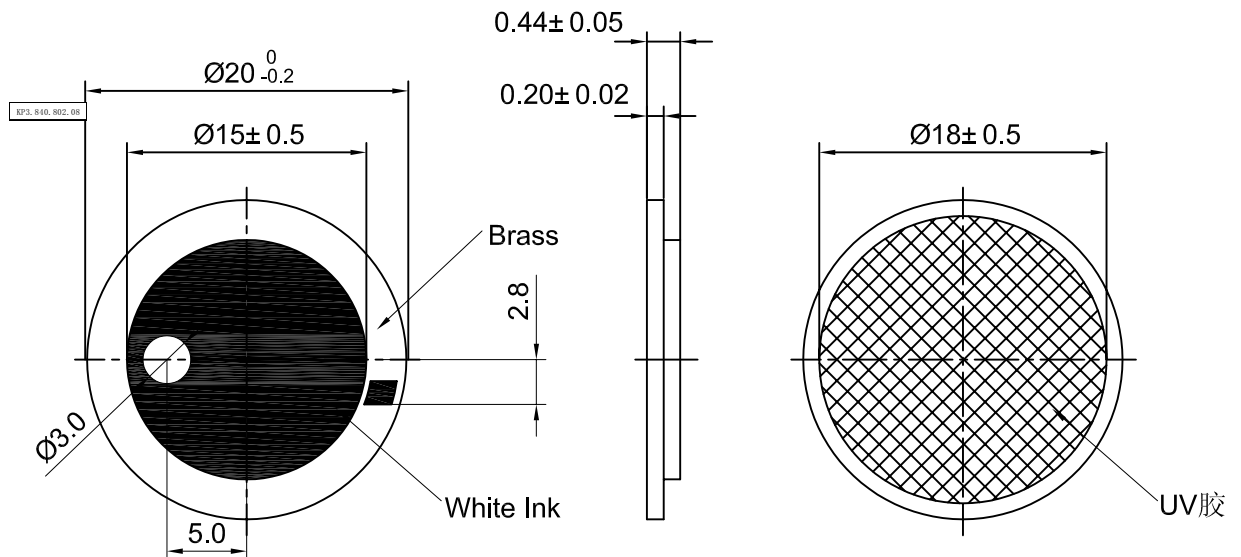
2. SPECIFICATION

(at 25°C)

- 2.1 Resonant Frequency : 6.0~7.5 KHz
- 2.2 Resonant Resistace : 300 Ω max
- 2.3 Capacitance : 14000 pF ± 30% at 100Hz
- 2.4 Input Voltage : 30 Vp-p max
- 2.5 Operating Temperature : -30~+95°C
- 2.6 Storage Temperature : -40~+105°C

3. DIMENSION

: as per figure



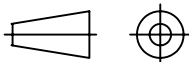
备注：此蜂鸣片正面刷白色阻焊油墨，背面刷透明UV胶

TOLERANCES UNLESS NOTED OTHERWISE

.X ±
.XX ±
.XXX ±

90° FORMED +2°
ANGLES -1°

FIRST ANGLE PROJECTION



DRAWN	汪逸	KEPO MODEL NO.	CUSTOMER	
DESIGN		MFT-20T-6.0A1 (White)	CUSTOMER NO.	
CHECKED		DWG NO.		
APPROVED	徐锦生	KP3.840.802.08	VER	1.2
DATE	13.01.10		SCALE	
CONTRACT NO.			UNIT	mm
			SHEET	

AGENCY APPROVAL

KEPO CO., LTD.

TEL:(+86)574-88370330

FAX:(+86)574-88370329